

# AGICO GROUP

70-813 Szczecin ul. Miła 1

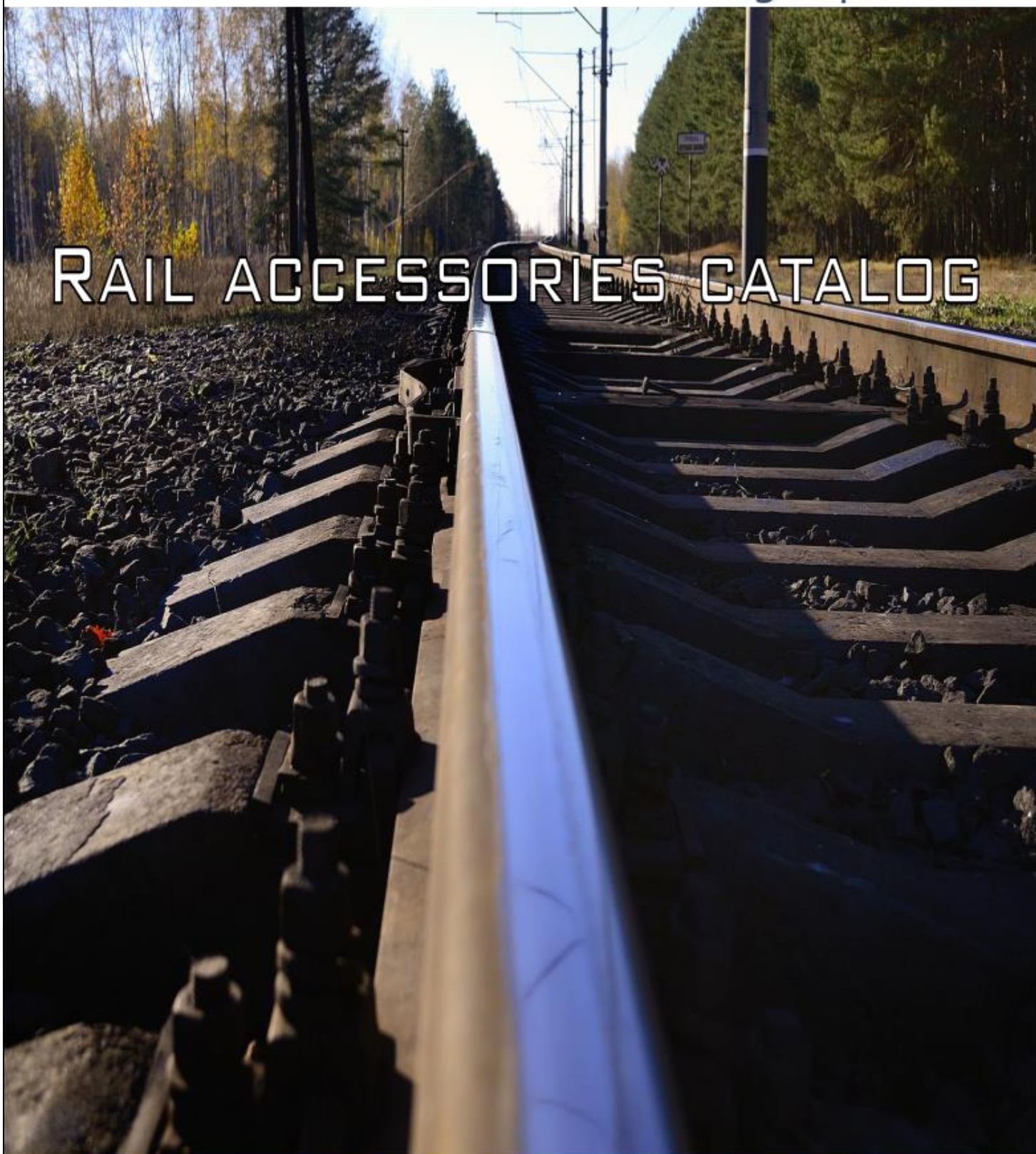
Tel: +48 91 46-92-815

Fax: +48 91 46-15-829

www.agico.com.pl agico@agico.com.pl



## RAIL ACCESSORIES CATALOG

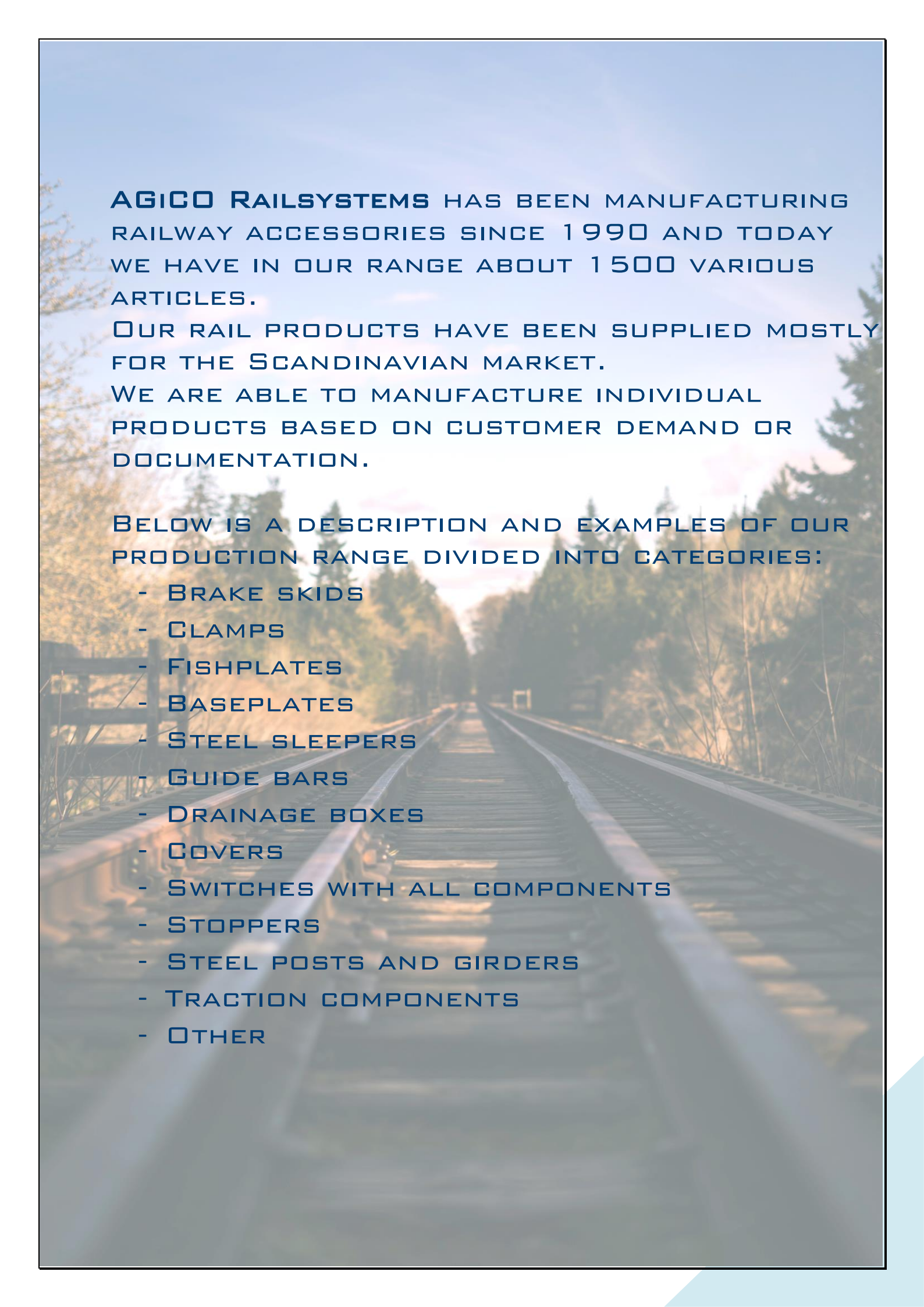


Management AGICO / Railsystems AGICO / Steel Constructions AGICO / Greenhouses AGICO / Windows AGICO / Apartments Constructions AGICO / Marine AGICO



ISO 9001  
ISO 14001  
PN-N 18001





**AGICO RAILSYSTEMS HAS BEEN MANUFACTURING RAILWAY ACCESSORIES SINCE 1990 AND TODAY WE HAVE IN OUR RANGE ABOUT 1500 VARIOUS ARTICLES.**

**OUR RAIL PRODUCTS HAVE BEEN SUPPLIED MOSTLY FOR THE SCANDINAVIAN MARKET.**

**WE ARE ABLE TO MANUFACTURE INDIVIDUAL PRODUCTS BASED ON CUSTOMER DEMAND OR DOCUMENTATION.**

**BELOW IS A DESCRIPTION AND EXAMPLES OF OUR PRODUCTION RANGE DIVIDED INTO CATEGORIES:**

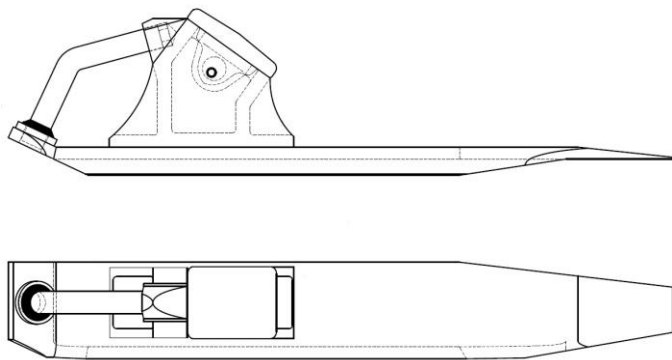
- BRAKE SKIDS**
- CLAMPS**
- FISHPLATES**
- BASEPLATES**
- STEEL SLEEPERS**
- GUIDE BARS**
- DRAINAGE BOXES**
- COVERS**
- SWITCHES WITH ALL COMPONENTS**
- STOPPERS**
- STEEL POSTS AND GIRDERS**
- TRACTION COMPONENTS**
- OTHER**



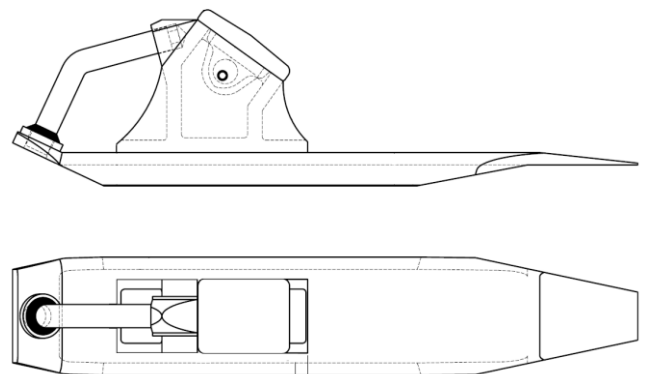
# RAIL BRAKE SKIDS

AGICO SUPPLIES RAIL BRAKE SKIDS FOR DIFFERENT RAIL TYPES AND SIZES.

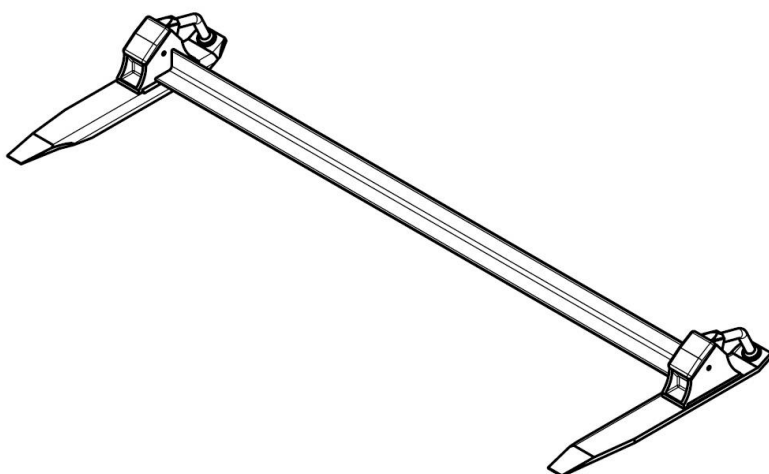
ONE SIDED FOR ONE RAIL



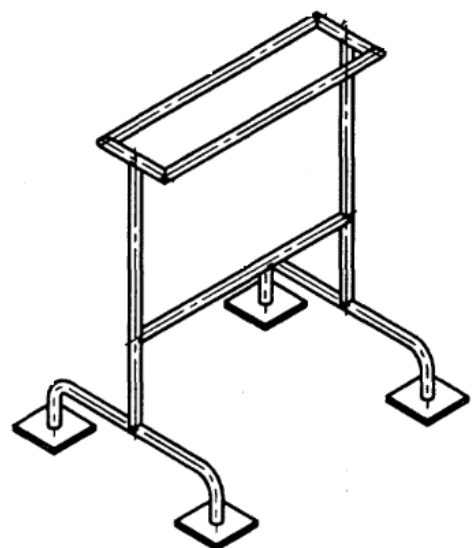
BOTH SIDED FOR ONE RAIL



CONNECTED BRAKE SKIDS FOR TWO RAILS



STAND FOR BRAKE SKIDS



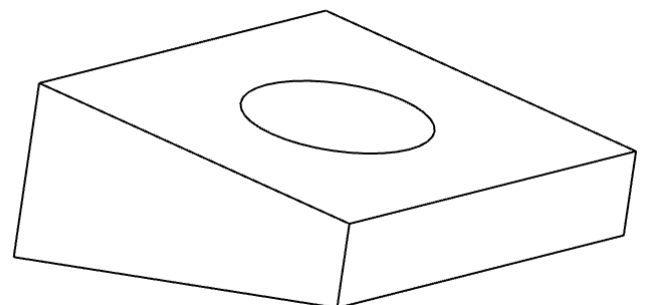
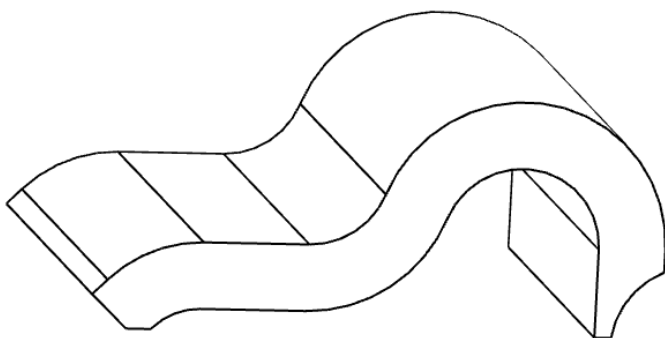
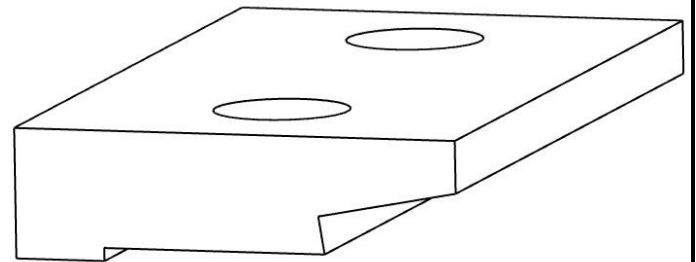
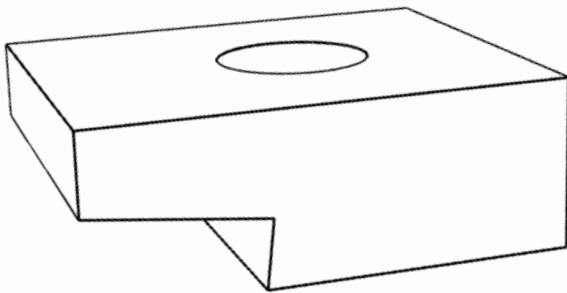
# RAIL CLAMPS

PRODUCED FOR DIFFERENT TYPES OF RAILS LIKE:

- BV50 -A55 -A65 -A75 -A100 -A120 -PH37 -S49 -S54 -  
SJ43 -UIC60

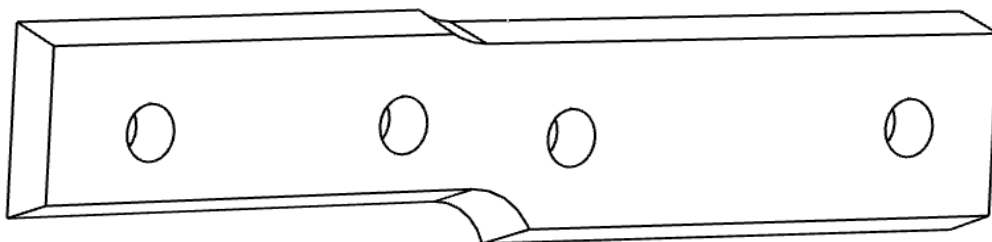
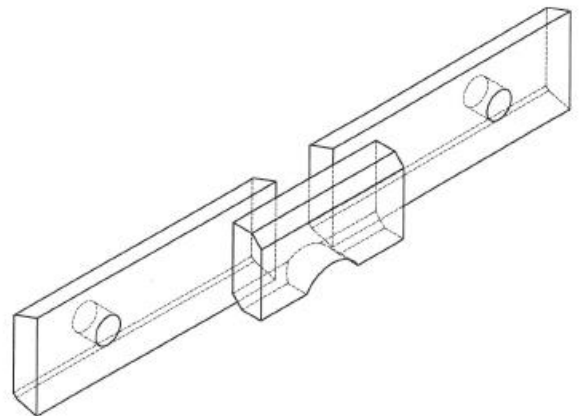
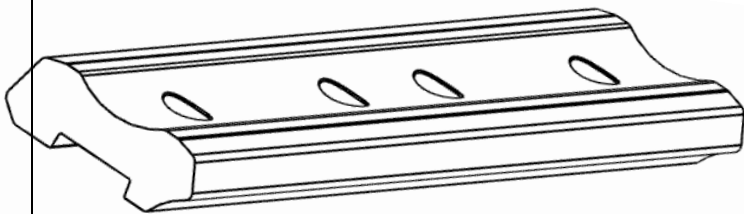
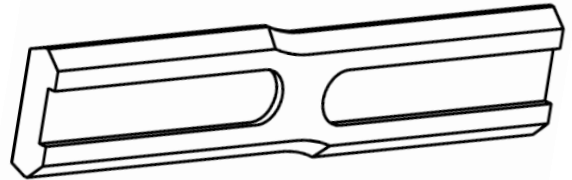
THEE ARE 3 TYPES OF RAIL CLAMPS:

- STRAIGHT – WITH HOLES OR WITHOUT HOLES FOR WELDING
- TYPE PANDROL
- INDIVIDUAL



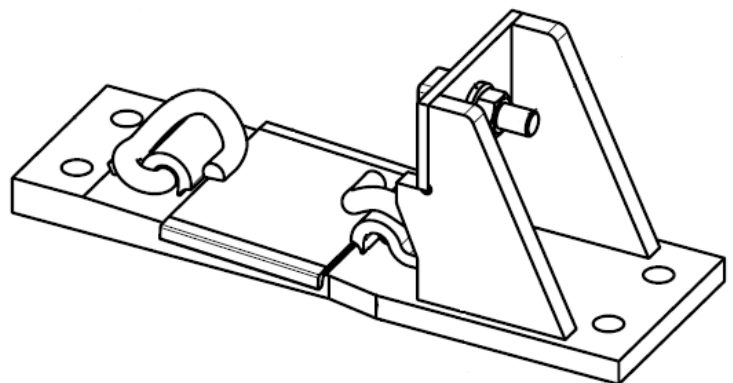
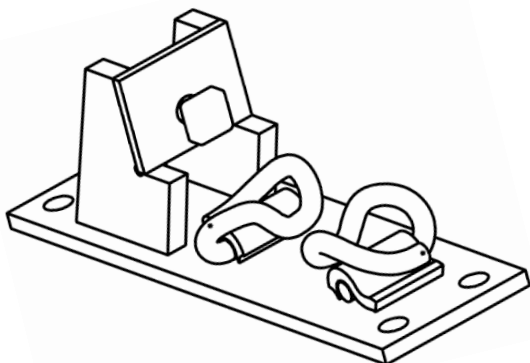
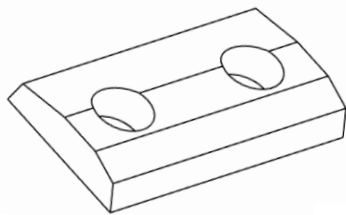
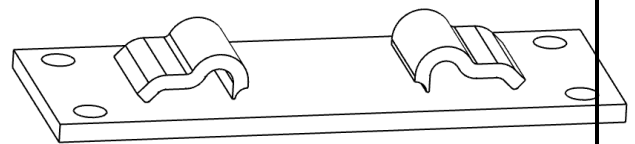
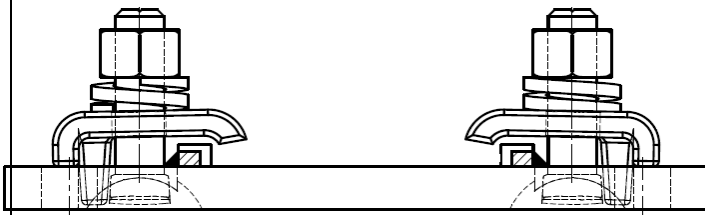
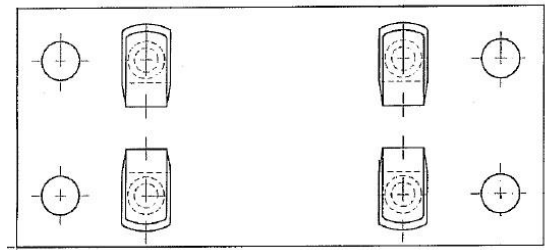
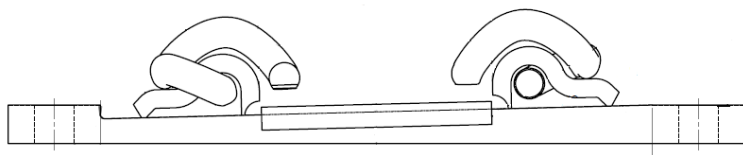
# FISHPLATES

- STANDARD
  - INSULATED
  - BENDED – USED ON CURVES
  - COMBINED WHICH CONNECT TWO TYPES OF RAILS.
- THEY CAN BE MADE WITH ROUND HOLES, SQUARE HOLES, MARKING  
IN DIFFERENT SHAPES FOR DIFFERENT TYPES OF RAILS.



# BASEPLATES

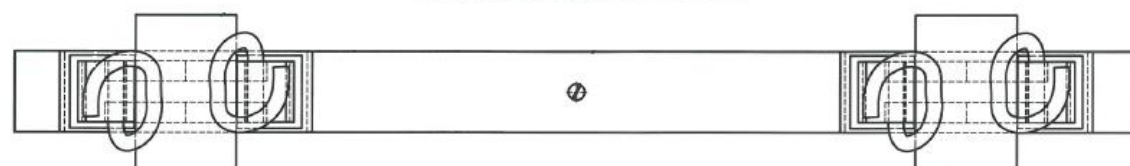
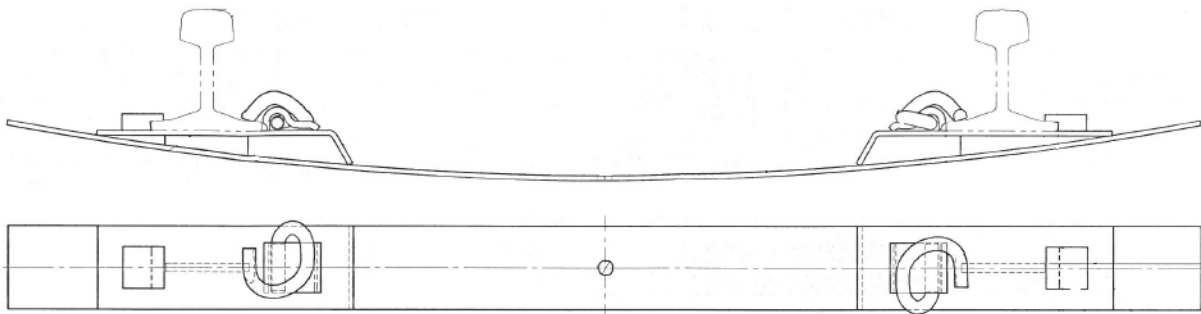
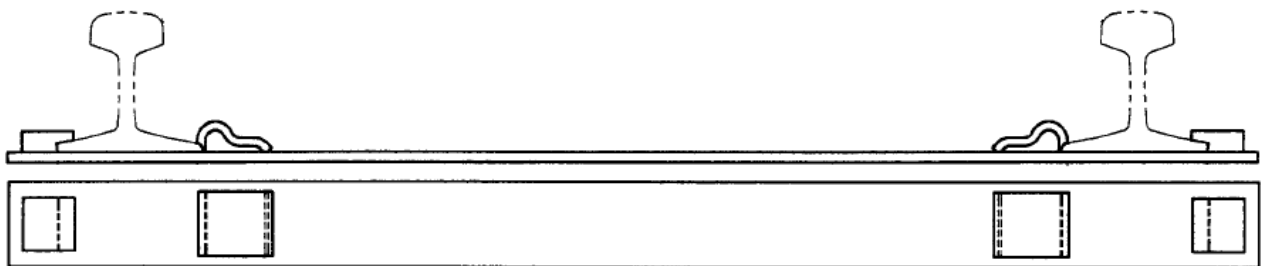
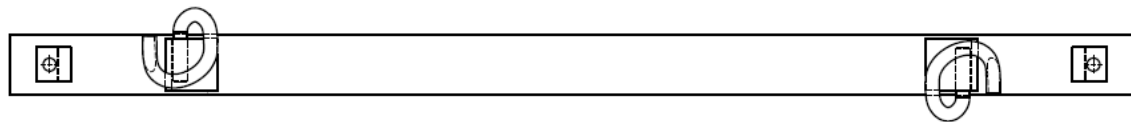
- RIBBED BASEPLATES
- TYPE PANDROL
- ANGLED PLATES WITH SCREWS, CLIPS OR HOOKS
- INCLINED
- SPECIAL TYPES



# STEEL SLEEPERS

AGICO PRODUCE TWO TYPES OF THEM WITH DIFFERENT CLAMPS:

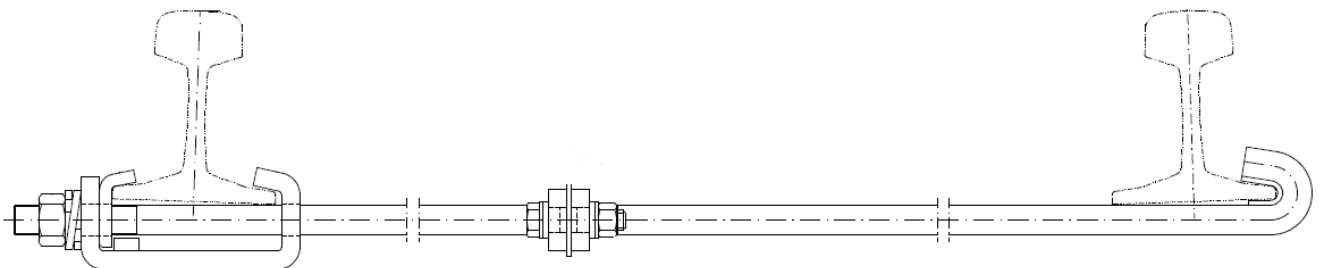
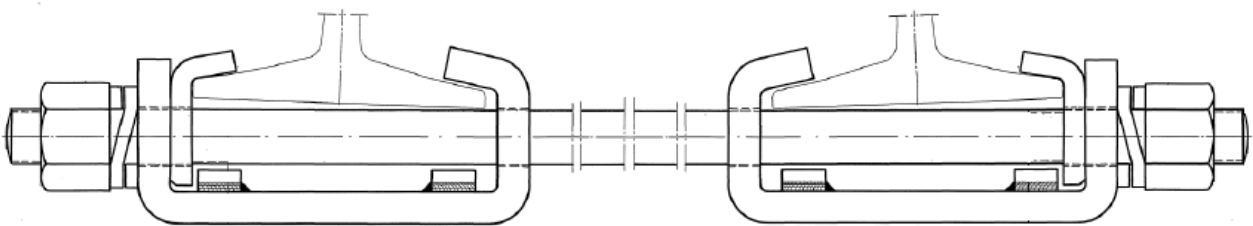
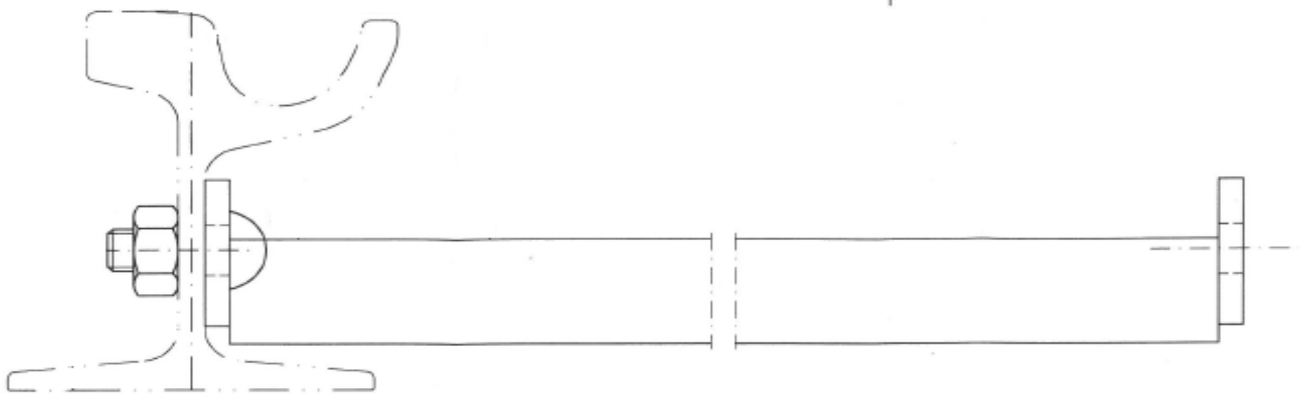
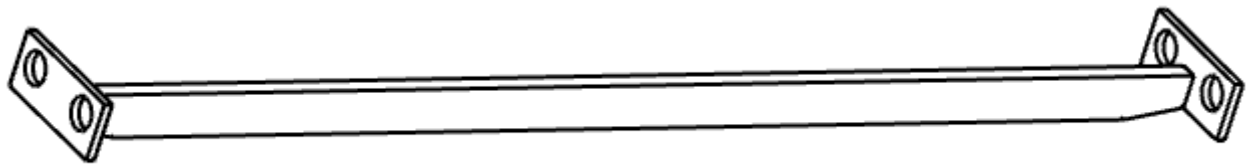
- STRAIGHT
- BENDED – FOR TUNNELS



# GUIDE BARS

A RAIL GUIDE BARS ARE USED TO PREVENT RAILS FROM SPREADING OR TILTING, TO STABILIZE THE RAILS IN CERTAIN DISTANCE. **AGICO** CAN SUPPLY:

- INSULATED
- NON-INSULATED TYPES ACCORDING CUSTOMER'S SPECIFICATION.



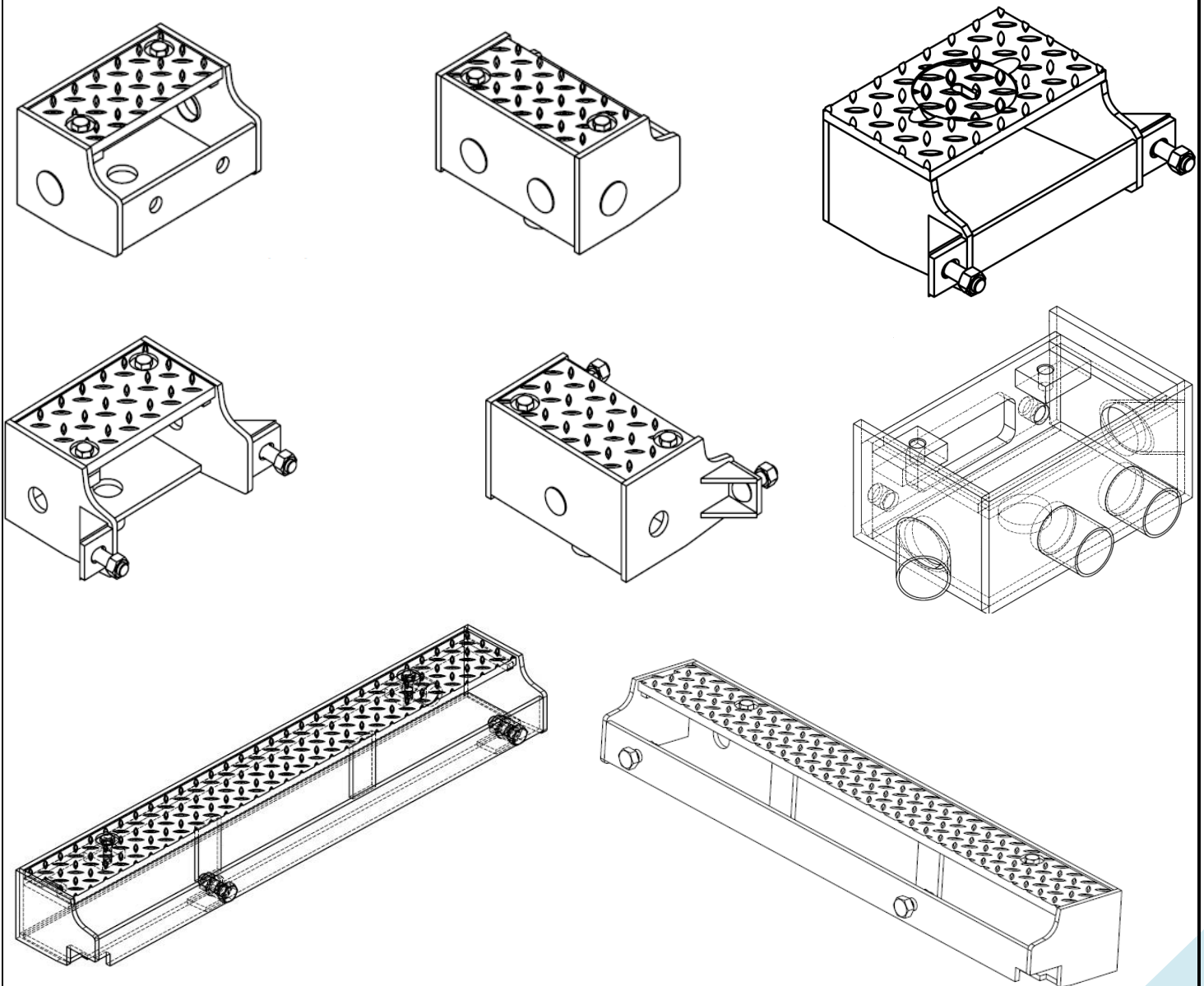


# DRAINAGE BOXES

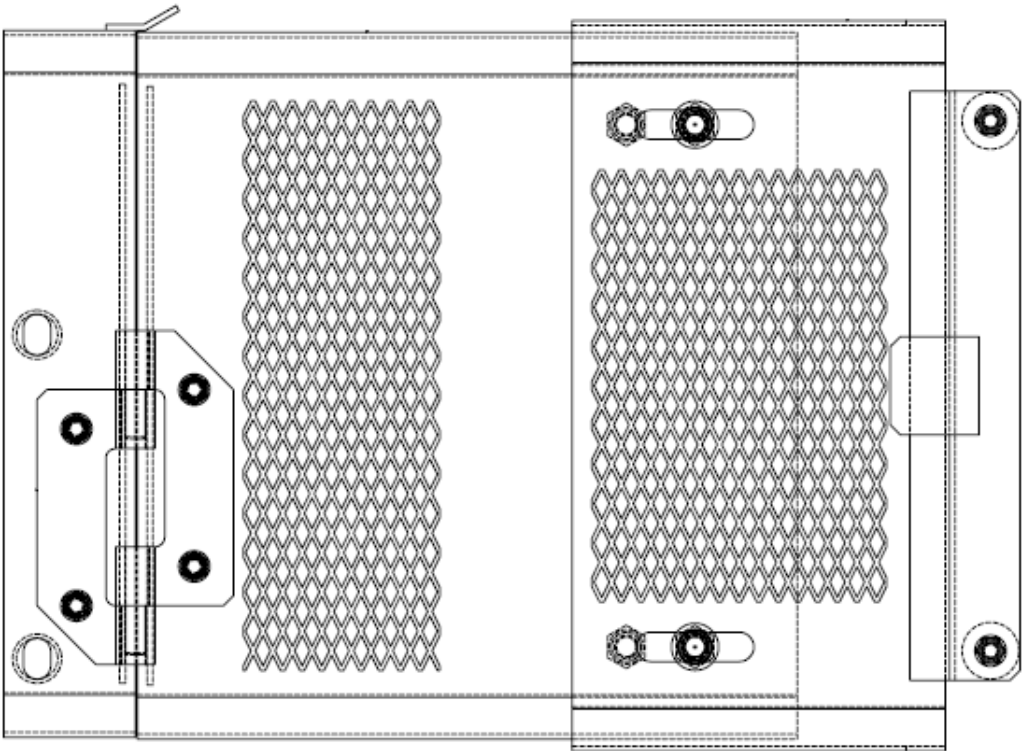
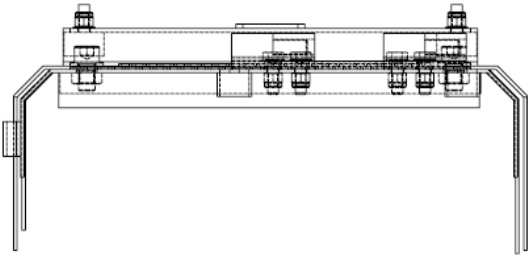
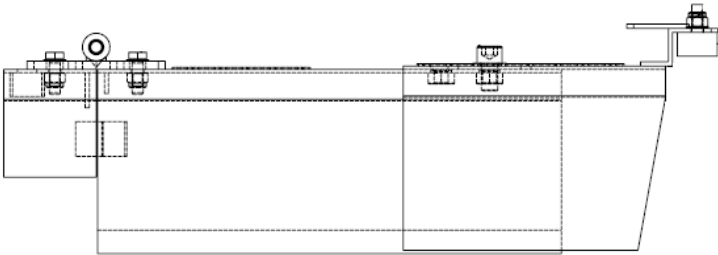
CONNECTED TO RAILS ARE USED TO TAKE OUT EXCESS OF WATER.

WE MANUFACTURE:

- WITH OR WITHOUT GRATING (COVER)
- WITH OR WITHOUT CHAINS
- WITH OR WITHOUT SILT CHAMBERS (BOTTOM OPENED)
- WITH OUTFLOW CONNECTOR DIAMETER TO CUSTOMER'S REQUIREMENTS.



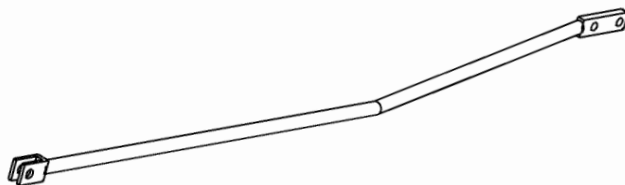
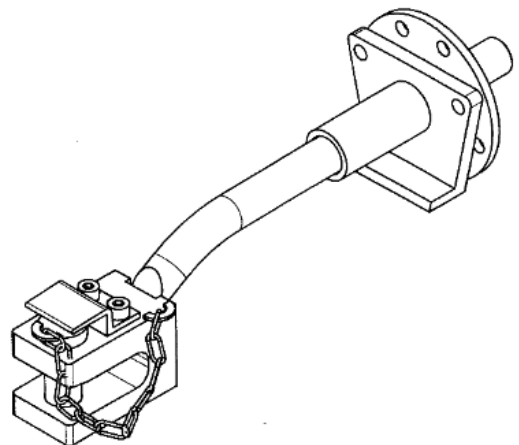
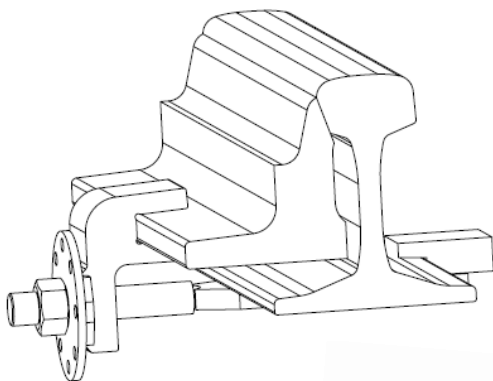
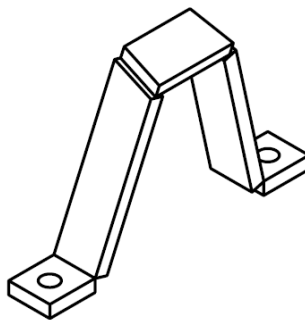
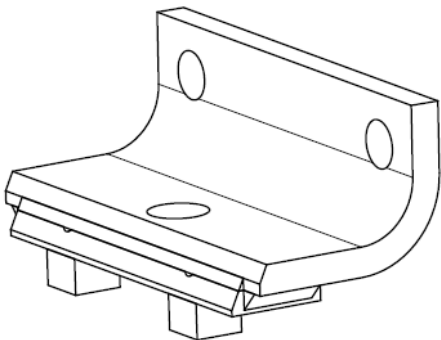
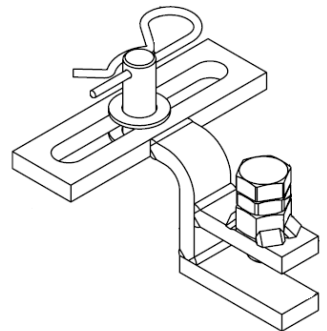
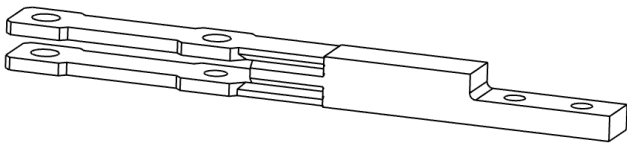
# COVERS FOR ELECTRIC COMPONENTS

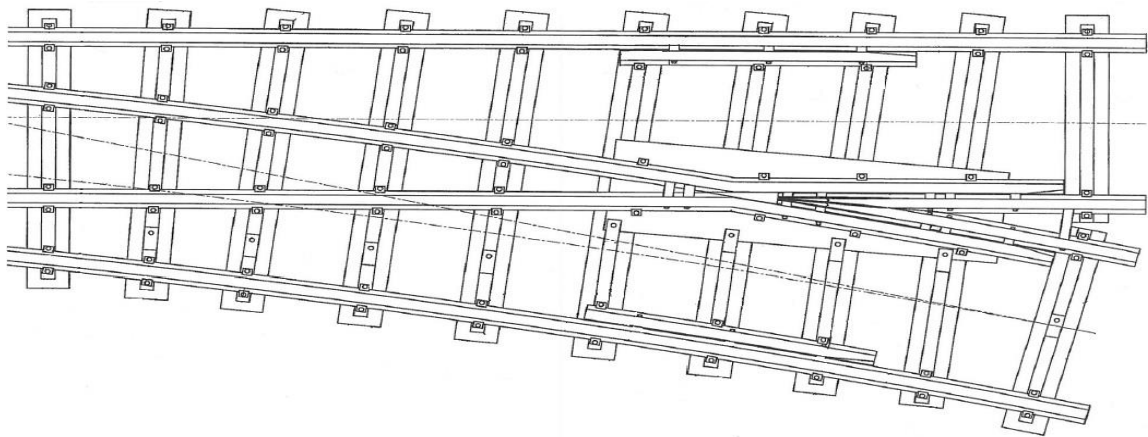
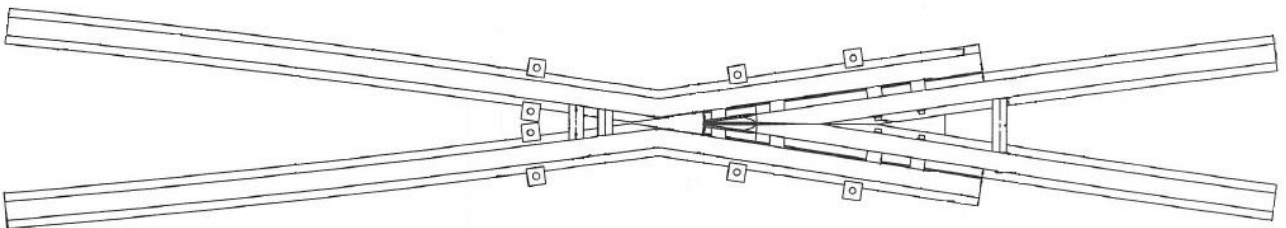
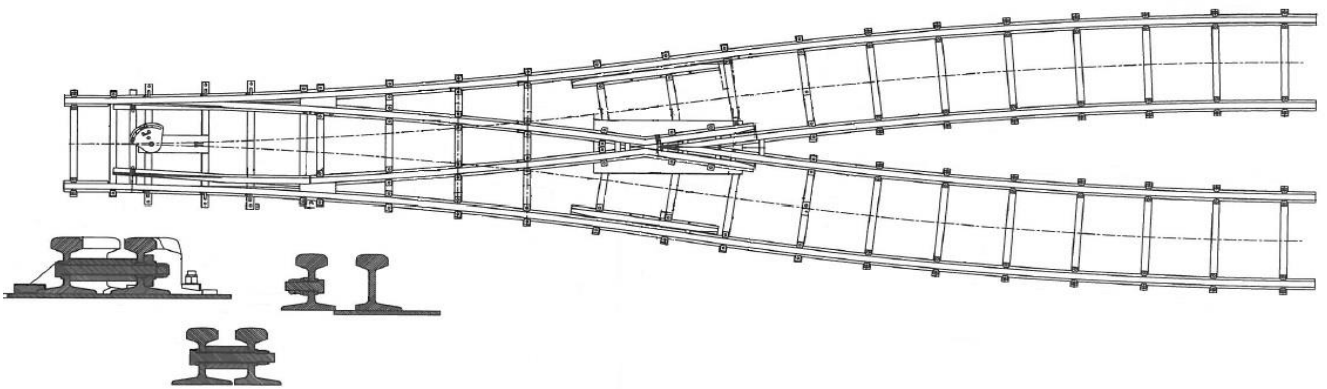
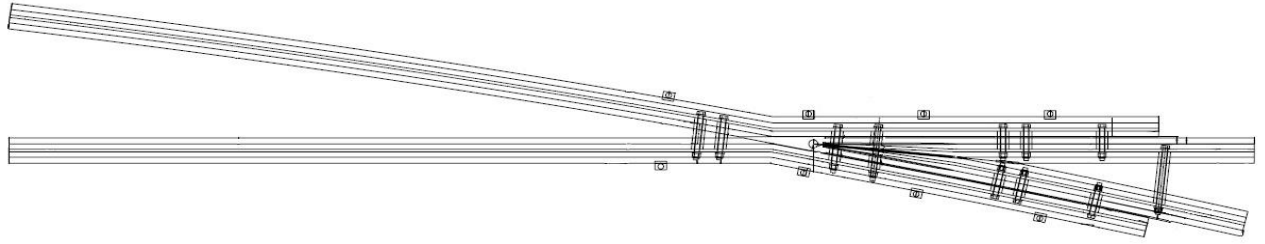


# RAILWAY SWITCHES UP TO 900MM AND COMPONENTS

COMPONENTS USED IN RAILWAY SWITCHES CAN BE DIVIDED INTO CATEGORIES:

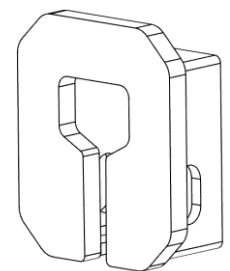
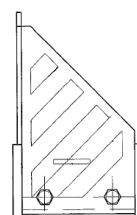
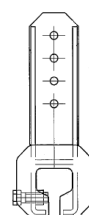
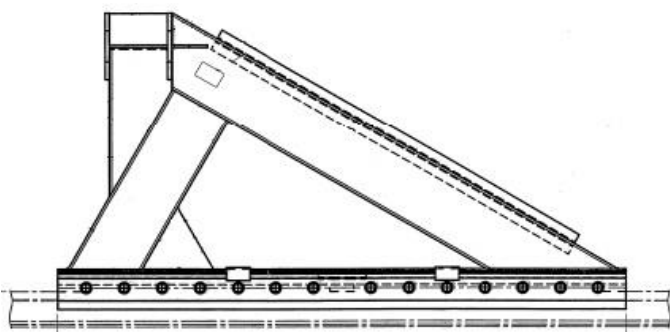
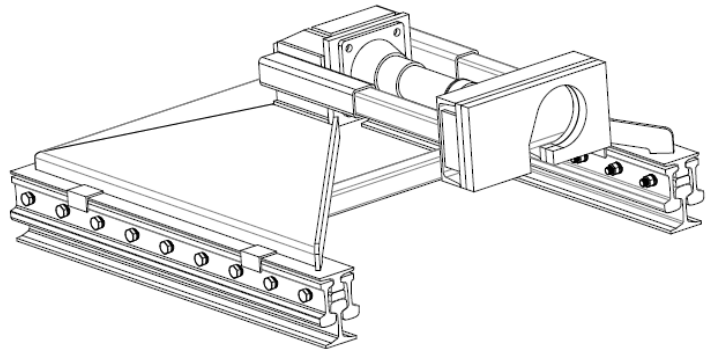
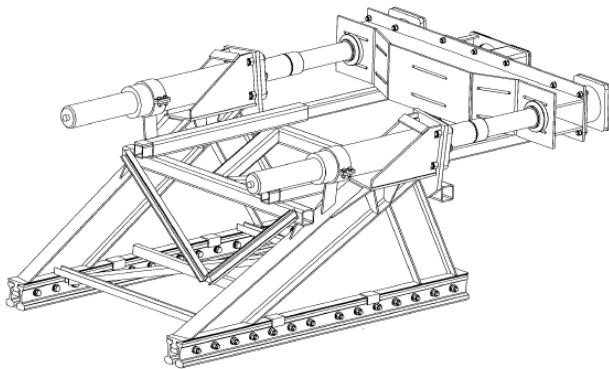
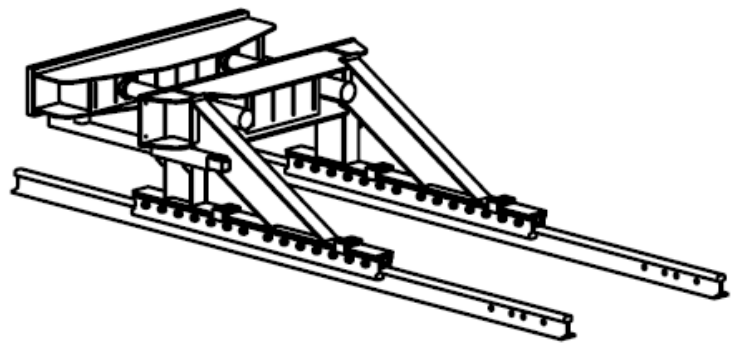
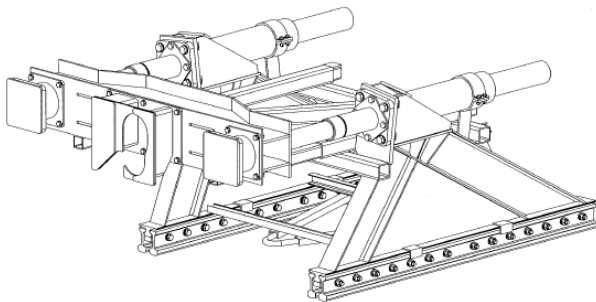
- OVERRUN BEAMS
- CROSSOVER CABLES
- LOCKS
- PUSHERS
- RAIL SUPPORTS





# RAIL STOPPERS

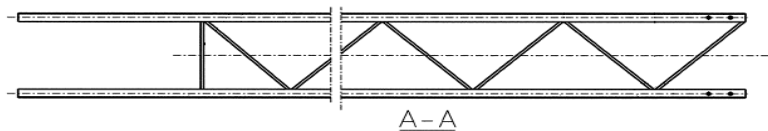
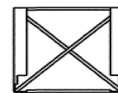
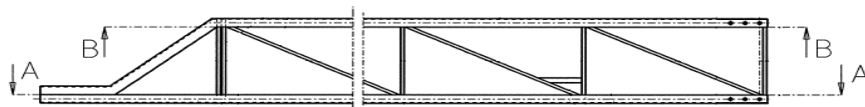
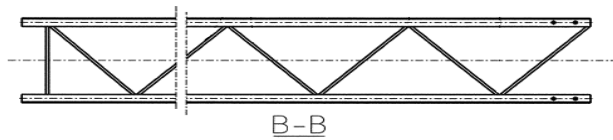
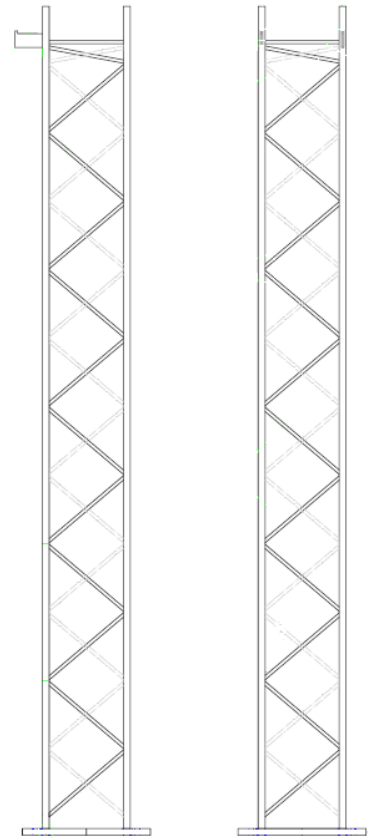
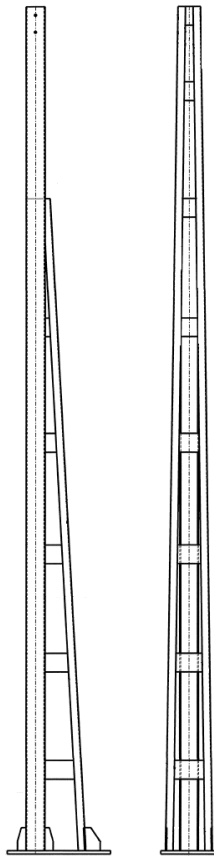
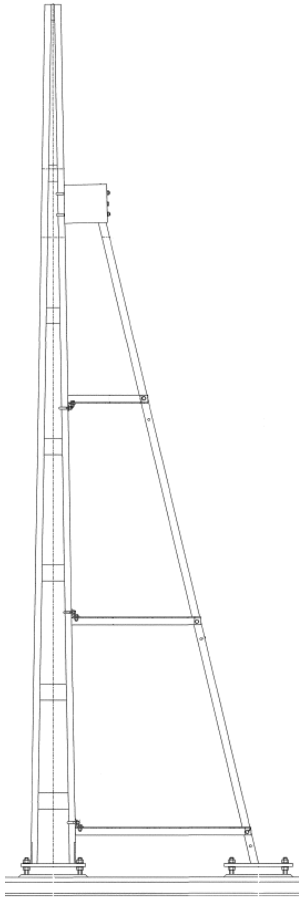
- BUFFER STOPS WITH TRADITIONAL "BUFFERS" ON EITHER SIDE
- HYDRAULIC BUFFER STOPS
- FRICTION BUFFER STOPS (BOLTED DOWN TO THE RAIL)
- GANTRY STOPPERS



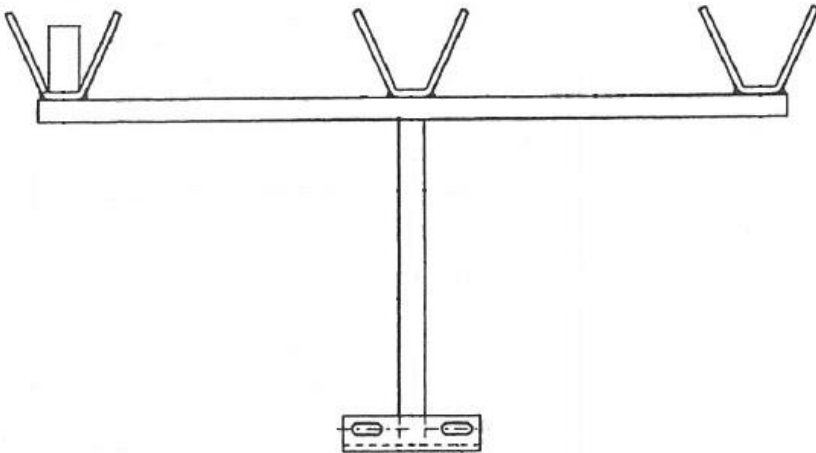
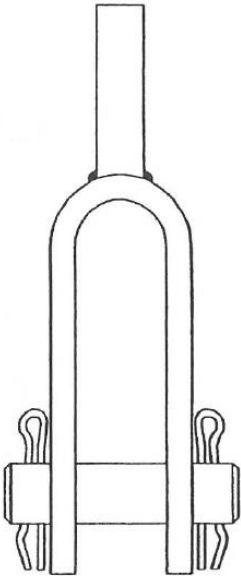
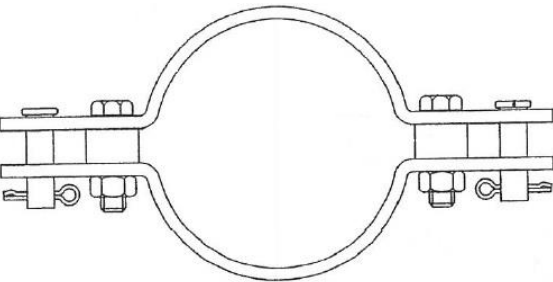
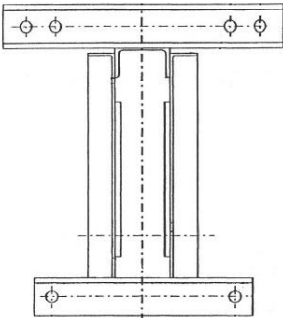
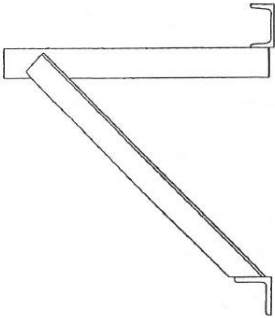
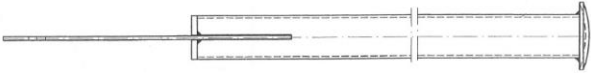
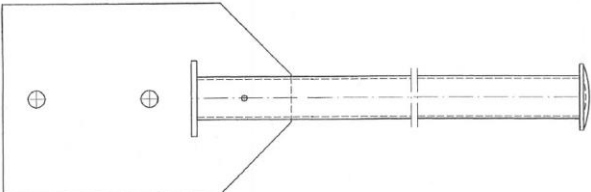
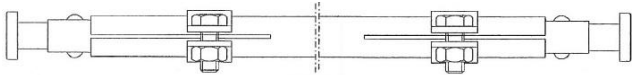


# STEEL POSTS AND GIRDERS

POSTS AND GIRDERS ARE USED TO MOUNT ELECTRICAL TRACTION.



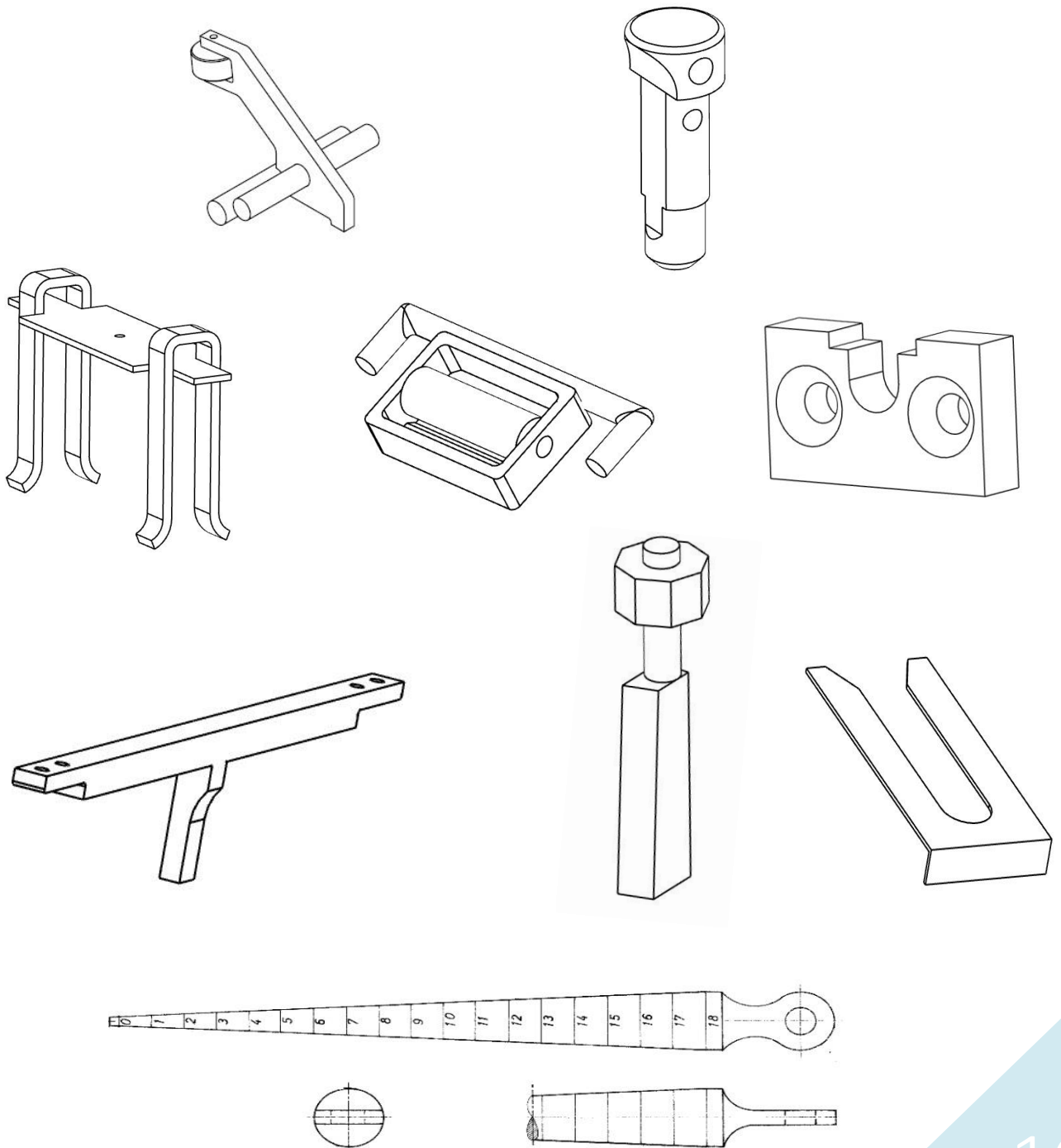
# TRACTION COMPONENTS

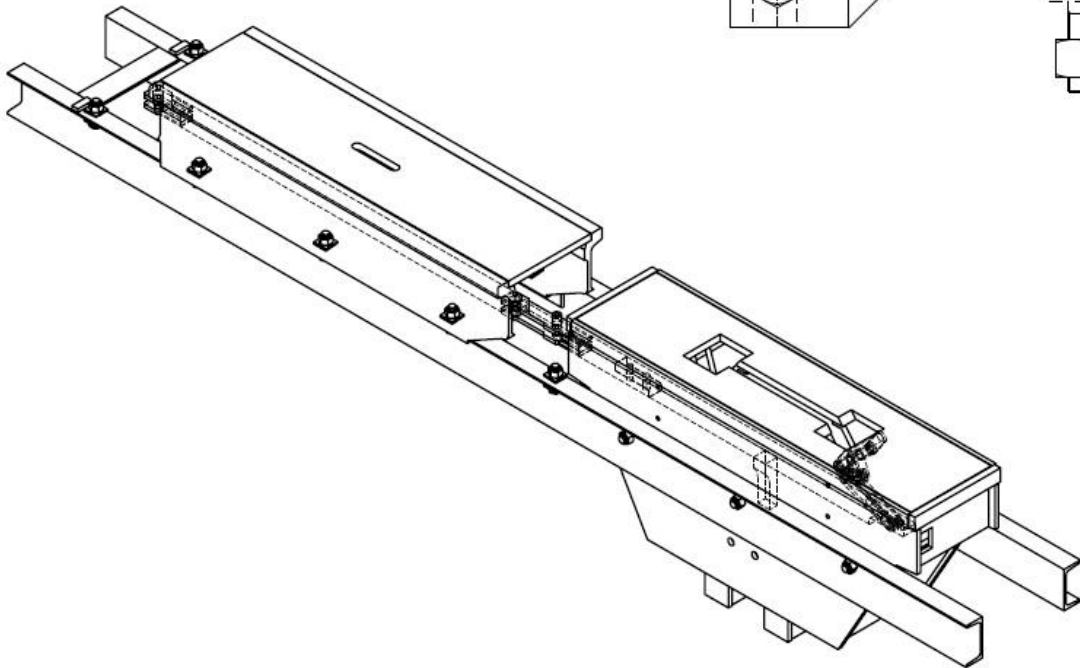
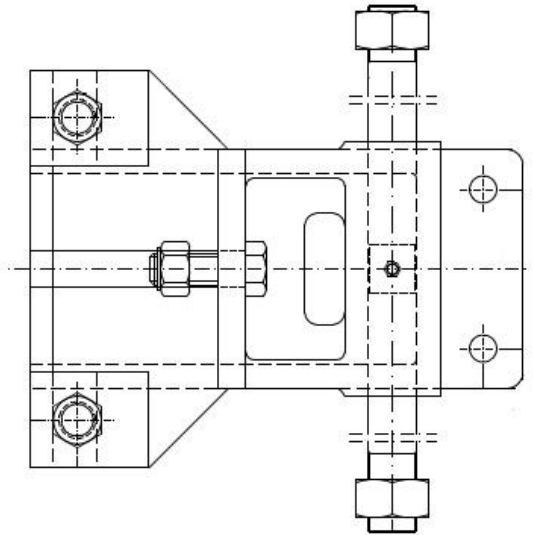
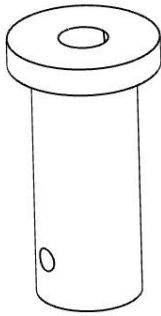
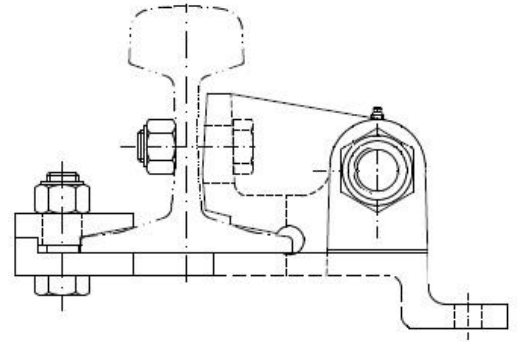
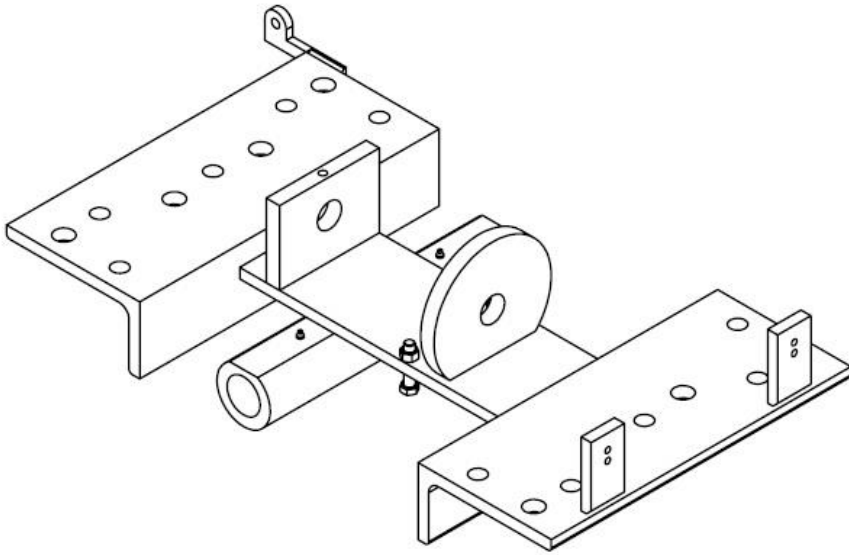


# OTHER PARTS

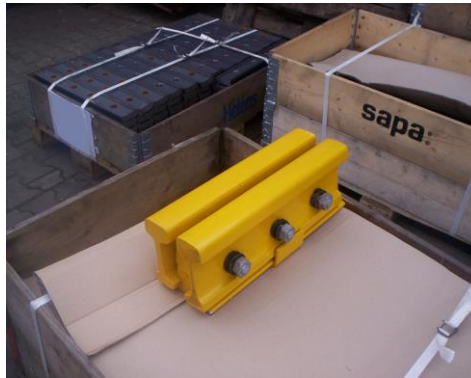
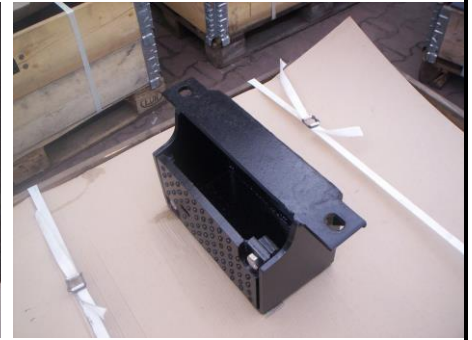
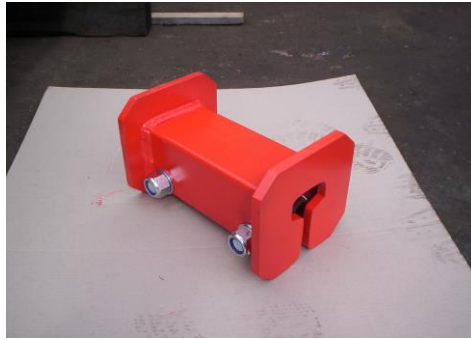
- DERAILS
- SPECIAL SCREWS AND NUTS
- ANCHORS
- SWITCH MECHANISM

AND MANY MORE.





# PICTURES OF OUR PRODUCTS





# RAIL STATION RENOVATIONS

AGICO GROUP HAS BEEN INVOLVED IN COMPLETE RENOVATION OF MAIN RAIL STATION IN SZCZECIN. PRODUCING AND ASSEMBLING STEEL PLATFORM HALLS AND BUILDING FACADES AND ROOFING.



# AGICO GROUP

70-813 Szczecin ul. Miła 1

Tel: +48 91 46-92-815

Fax: +48 91 46-15-829

www.agico.com.pl agico@agico.com.pl



ul. Miła 1, 70-813  
Szczecin, Poland



+48 91 469 14 57



agico@agico.com.pl



VISIT OUR WEBSITE FOR MORE DETAILS

**WWW.AGICO.COM.PL**

Management AGICO / Railsystems AGICO / Steel Constructions AGICO / Greenhouses AGICO / Windows AGICO / Apartments Constructions AGICO / Marine AGICO



ISO 9001  
ISO 14001  
PN-N 18001

